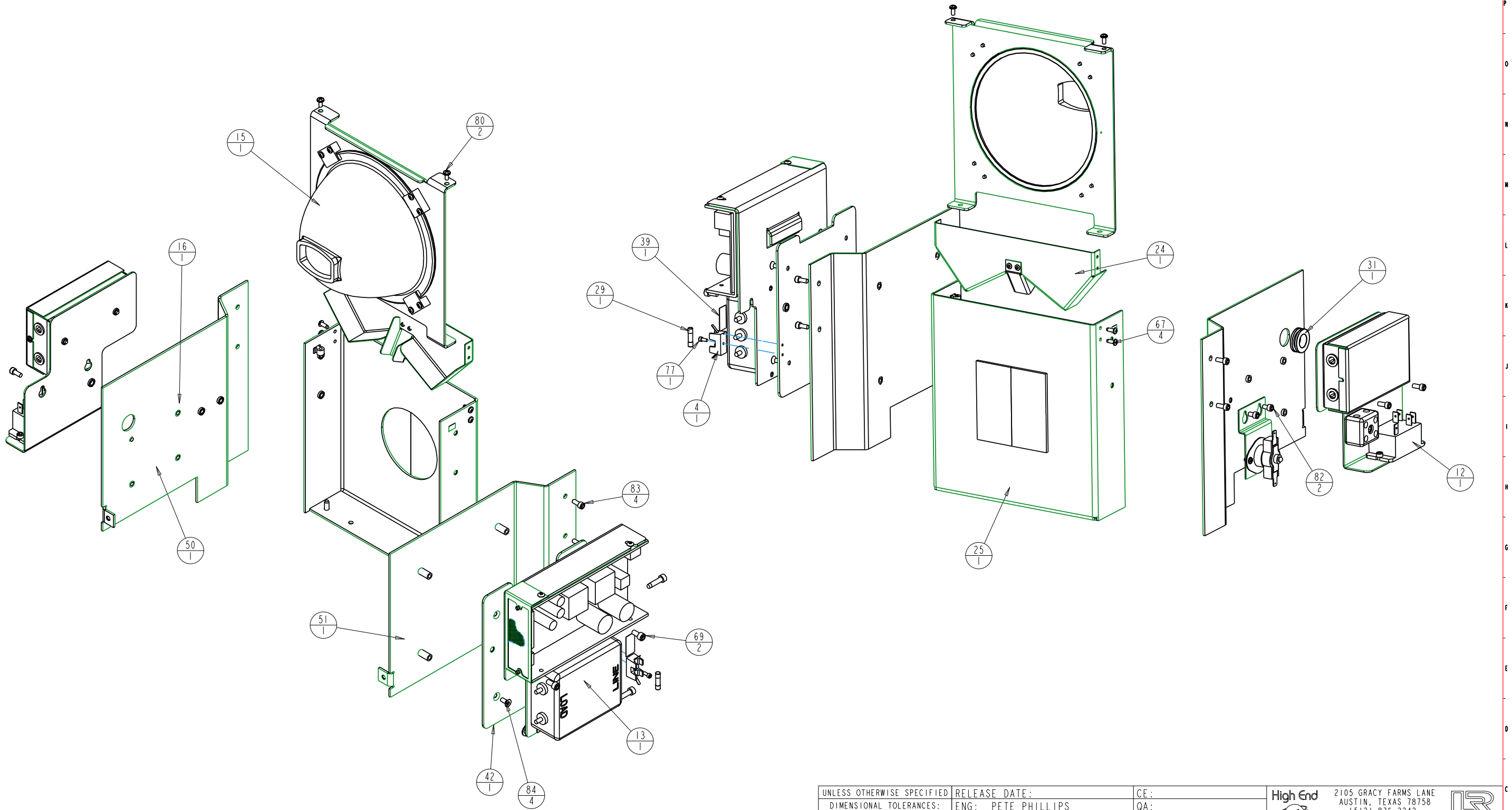


CLA001



PROPRIETARY NOTICE:
 THIS DOCUMENT CONTAINS CONFIDENTIAL AND PROPRIETARY INFORMATION OF HIGH END SYSTEMS INC., (ALSO DBA LIGHTWAVE RESEARCH) AND IS GIVEN TO THE RECEIVER IN CONFIDENCE. THE RECEIVER ACCEPTS AND AGREES THAT, EXCEPT AS AUTHORIZED BY HIGH END SYSTEMS, THE RECEIVER WILL NOT PERMIT THE USE OF THE DOCUMENT OR ANY COPY THEREOF OR THE INFORMATION THEREIN, WILL NOT COPY OR PERMIT COPYING THE DOCUMENT WILL NOT DISCLOSE TO OTHERS EITHER THE DOCUMENT OR THE INFORMATION THEREIN, AND WILL UPON COMPLETION OF THE NEED TO RETAIN THE DOCUMENT, OR UPON DEMAND, RETURN THE DOCUMENT WITHOUT RETAINING ANY OF THE INFORMATION CONTAINED THEREIN IN ANY FORM WHATSOEVER.

UNLESS OTHERWISE SPECIFIED		RELEASE DATE:	CE:	High End 2105 GRACY FARMS LANE AUSTIN, TEXAS 78758 (512) 836-2242 FAX (512) 832-4128 http://www.highend.com	LR LIGHTWAVE RESEARCH
DIMENSIONAL TOLERANCES: 0 PLACE DECIMAL = ±0.38 1 PLACE DECIMAL = ±0.25 2 PLACE DECIMALS = ±0.13 ANGLES = ±0.5°		ENG: PETE PHILLIPS	QA:		
FOR PAINTED PARTS REFER TO ENG. SPEC. MANUAL W1-0592		ME:	DESCRIPTION: FIXTURE, TOP LEVEL, CYBERLIGHT 2.0		
ALL COMPONENTS, MATERIALS AND FINISHES TO BE RoHS COMPLIANT		MFG:	DRW: PETE PHILLIPS	FINISH: NA	
MIN. DRAFT	MIN. RADIUS	INTERPRET DIMENSIONS PER ASME Y14.5M-1994		PART NO.	DRAWING NO.
FLATNESS	THICKNESS	THIRD ANGLE PROJECTION		INTERNAL	CLA001
VOLUME		DIMENSIONS ARE IN MILLIMETERS		DO NOT SCALE	SCALE: 0.143
				REV. 10	
				SHEET: 5 OF 6	

CLA001

93	1	CLA044	INTERNAL	1	YOKE, PAINTED CYBERLIGHT ASSY
92	1	CLA015	INTERNAL	7	WHEEL, ROTATING GOBO
91	8	WASHER318_500_040	90706101	.	WASHER, .040 X .318 ID X .500 OD
90	1	SWITCH_CHERRY_KWECOACF	90405325EF	.	SWITCH, SNAP-ACTION .1 AMP 125VAC 150C
89	1	STRAIN_RELIEF_39-56	90410159	.	STRAIN RELIEF, POWER GRIP .39-.56 ID BLK
88	3	CL310	90702405	-	STANDOFF, LPS
87	1	SL263	90702206	-	STANDOFF, HEX
86	1	SL264	90702205	-	STANDOFF, HEX
85	10	SCREWM3AB06BZP_X	91010306	.	SCREW,M3 BUTTON SOCKET HEAD 06 BZ W/PATCH
84	4	SCREW8-32AF375BZ	90708005	.	SCREW,8-32 SOCKET FLAT 3/8
83	21	SCREW8-32AC375BZ	90707015	.	SCREW,8-32 SOCKET CAP 3/8 BZ
82	2	SCREW8-32AC250BZ	90707045	.	SCREW,6-32 SOCKET CAP 1/4 BZ PATCH
81	4	SCREW6-32AC250BZP	90707045	.	SCREW,6-32 SOCKET CAP 1/4 BZ PATCH
80	2	SCREW6-32PP313W-BZ	90709135	.	SCREW,6-32 PHIL PAN 5/16 W/STAR WSHR BZ
79	12	SCREW5_16-24AC625N	90707028	.	SCREW,5/16-24 SOCKET CAP 5/8 ALLOY NICKEL
78	6	SCREW5_16-18AC750N	90707057	.	SCREW,5/16-18 SOCKET CAP 3/4 ALLOY NICKEL
77	1	SCREW4-40AC0250BZP	90707036	.	SCREW,4-40 SOCKET CAP 1/4 BZ PATCH
76	2	SCREW4-40PP625W-SZ	90709173	.	SCREW,4-40 PHIL PAN 5/8 MS CS CZ SWE
75	2	SCREW375-16AC1250S	90707129	.	SCREW,3/8-16 SOCKET CAP 1.25 SS
74	6	SCREW10-32AF375S	90708010	.	SCREW,10-32 SOCKET FLAT 3/8 SS
73	7	SCREW10-32AF500BZ	90708009	-	SCREW,10-32 SOCKET FLAT 1/2 BZ
72	18	SCREW10-32ACF750BZ	90707003	.	SCREW,10-32 SOCKET CAP 3/4 F TYPE BZ
71	3	SCREW10-32AC250BZ	90707018	.	SCREW,10-32 SOCKET CAP 1/4 BZ
70	15	SCREW10-32AC500S	90707081	.	SCREW,10-32 SOCKET CAP 1/2 SS
69	2	SCREW10-32AC375S	90707034	.	SCREW,10-32 SOCKET CAP .375 BZ PATCH
68	4	SCREW8-18PP250BTPE-BZ	90709024	.	SCREW,#8 PHIL PAN 1/4 B TYPE SBZ
67	4	SCREW6-20PP380BTPE-BZ	90709016	.	SCREW,#6 PHIL PAN 3/8 B TYPE BZ
66	4	SCREW10-14PP625BTPE-BZ	90709179	.	SCREW,#10 PHIL PAN 5/8 B CS BZ
65	7	SCREW10-14PP380BTPE-BZ	90709093	.	SCREW,#10 PHIL PAN 3/8 B TYPE SBZ
64	4	SCREW10-14PP500TL-SZ_BLACK	90709207	.	SCREW,#10 PHIL PAN 1/2 PLASTITE SZ BLACK
63	1	CLA043	INTERNAL	2	SCREEN, ASM, LPS EXHAUST
62	2	RIVET43-45DMG	90701302	.	RIVET,1/8 DOMED, .157-.312
61	8	RIVET_AK43-45BS	90701347	.	RIVET,1/8 COUNTERSUNK .157-.312
60	2	CL169	80070580	A	PLT.SPACER,YOKETILT
59	1	CL105	80070535	7	PLT, REAR, LAMP DOOR
58	1	CL165	80070575	-	PLT, LIGHT BLOCK, LAMP EXHAUST
57	1	CL164	80070574	A	PLT, IR BLOCK, LAMP
56	1	CL134	80070559	-	PLT, INTAKE, LPS
55	2	CL116	80070582	-	PLT, GRILL, REAR, PCB
54	2	SL083	CHARTED	C	PLATE, YOKE, TILE, PAINTED
53	1	CL104	80070534	A	PLATE, SLED, COLOR MIX/REFLECTOR
52	1	CL141	80070537	-	PLATE, MOUNT, SWITCH, LAMP INTERLOCK
51	1	CL161	80070571	-	PLATE, LAMPBOX, RIGHT
50	1	CL162	80070572	A	PLATE, LAMPBOX, LEFT
49	1	CL121	80070536	-	PLATE, LAMP MOUNT, PAINTED
48	1	CL427	80010235EF	.	PCA, LED DISPLAY CYBER
47	1	CLA002	INTERNAL	5	OPTICAL ASSEMBLY
46	2	NUT8-32KEP	90703023	.	NUT,8-32 KEPS NUT SZ
45	2	NUT6-32KEP	90703005	.	NUT,6-32 KEPS NUT SZ
44	2	NUT_375_SS	12040004	-	NUT,3/8-16 NYLON INSERT STOP NUT,AL, SZ
43	1	CLA024	INTERNAL	4	MOUNT, 2K LAMP, GY22 WITH ADJUST
42	1	CL152	99260595	A	MNT, 40V MPS, LINE FILTER
41	1	CL425EF	99070030EF	-	LPS,2KW,CCI,MEK5
40	1	CLA040	80160073	A	LENS,POWER ASSY CL 2
39	1	LABEL_FUSE_WARNING	99310417	-	LABEL,FUSE WARNING DL2
38	2	CL450	CHARTED	-	LABEL,EXTR,L/R, DIE CUT
37	1	CL455	99310526	-	LABEL, REAR PANEL
36	1	CLA034	INTERNAL	5	HEAD, MIRROR, PAN AND TILT ASM
35	2	CL201	90720011	1	HANDLE,T,5/16 F,3.5 WIDE
34	4	SW214	90720005	A	HANDLE, SMALL W/ LOGO
33	3	SW215	90720006	A	HANDLE, LARGE, W/ GLOBE LOGO
32	4	BUSHING750SNAP_IN	90719087	.	GROMMET,SNAP BUSHING .60 ID
31	1	GROMMET_5625ID_HIGH_TEMP	90410164	1	GROMMET,9/16"IDX1"OD HI TEMP
30	2	GRILL_CHROME_80MM-FAN	99190091	.	GRILL,CHROME, 80MM FAN
29	1	FUSE5X20_5A-SLOW	90403012EF	.	FUSE, 5 AMP SLOW
28	2	TW703	80270038EF	-	FAN,ASSY,SUNON 80 X80 X38MM 74.5 CFM
27	1	CL303	80070539	-	EXTR,LAMP ADJUST, MACHINED
26	1	CL132	80070541	A	ENCLOSURE,REAR DISPLAY
25	1	CLA037	80580045	A	ENCL,ASM,LAMP,HOT MIRROR
24	1	CL125	80070540	-	DUCT,LOWER, LAMP COOLING
23	2	CL159	80070569	-	DUCT, LAMP EXHAUST, OUTER
22	1	CL107	80070558	A	DUCT, AIRBOX
21	1	CLA032	INTERNAL	5	COVER, REAR, FAN ASSEMBLY
20	1	CLA033	INTERNAL	6	COVER, MID, LATCHED
19	1	CL148	80070543	-	COVER, LPS
18	1	CLA030	INTERNAL	4	COVER, FRONT, BLOWER MOUNT
17	3	CLIP_50_PUSH_ON_NY	90701271	.	CLIP, WIRE .50 DIA, PUSH MOUNT
16	1	CLA047	INTERNAL	2	BULKHEAD, TEMP SENSOR
15	1	CLA029	INTERNAL	2	BULKHEAD, REFLECTOR
14	1	CLA031	INTERNAL	3	BULKHEAD, LOGIC PCB
13	1	CLA027	INTERNAL	4	BULKHEAD, LINE FILTER, 40V MPS
12	1	CLA038	INTERNAL	5	BULKHEAD, IGNITOR, RELAY
11	1	CLA039	80580046	-	BULKHEAD, FRONT
10	1	CLA016	INTERNAL	8	BULKHEAD, COLORWHEEL
9	1	CLA019	INTERNAL	11	BULKHEAD, COLOR MIX
8	1	CL426	80040055EF	.	BRD, TEMP SENSOR ASM
7	2	BOLT516-18STEP750BZ	90704016	.	BOLT,STEP 5/16-18 X 3/4 BZ
6	1	CLA046	INTERNAL	3	BLOWER,ASM,75MM W/MNT CL2
5	1	CLA049	INTERNAL	1	BLOWER, ASM, 75MM, RIGHT
4	1	FUSE_HOLDER5X20	90412018EF	.	BLOCK,FUSE SINGLE 5 X 20MM SINGLE
3	2	CL154	99260596	-	BKT,LPS COVER
2	1	SERIAL_LABEL	TBD	1	
1	1	CLA005	INTERNAL	1	
ITEM NO.	QTY.	FILENAME	PART NO.	REV	DESCRIPTION
					BILL OF MATERIALS

PROPRIETARY NOTICE: THIS DOCUMENT CONTAINS CONFIDENTIAL AND PROPRIETARY INFORMATION OF HIGH END SYSTEMS INC., (ALSO DBA LIGHTWAVE RESEARCH) AND IS GIVEN TO THE RECEIVER IN CONFIDENCE. THE RECEIVER ACCEPTS AND AGREES THAT, EXCEPT AS AUTHORIZED BY HIGH END SYSTEMS, THE RECEIVER WILL NOT PERMIT THE USE OF THE DOCUMENT OR ANY COPY THEREOF OR THE INFORMATION THEREIN, WILL NOT COPY OR PERMIT COPYING THE DOCUMENT WILL NOT DISCLOSE TO OTHERS EITHER THE DOCUMENT OR THE INFORMATION THEREIN, AND WILL UPON COMPLETION OF THE NEED TO RETAIN THE DOCUMENT, OR UPON DEMAND, RETURN THE DOCUMENT WITHOUT RETAINING ANY OF THE INFORMATION CONTAINED THEREIN IN ANY FORM WHATSOEVER.

UNLESS OTHERWISE SPECIFIED DIMENSIONAL TOLERANCES: 0 PLACE DECIMAL = ±0.38 1 PLACE DECIMAL = ±0.25 2 PLACE DECIMALS = ±0.13 ANGLES = ±0.5°	RELEASE DATE: ENG: PETE PHILLIPS ME: MFG:	CE: QA:	High End 2105 GRACY FARMS LANE AUSTIN, TEXAS 78758 (512) 836-2242 FAX (512) 832-4128 http://www.highend.com	LR LIGHTWAVE RESEARCH
FOR PAINTED PARTS REFER TO ENG. SPEC. MANUAL W1-0592	DESCRIPTION: FIXTURE, TOP LEVEL, CYBERLIGHT 2.0	MATERIAL: CHARTED	FINISH: NA	
ALL COMPONENTS, MATERIALS AND FINISHES TO BE ROHS COMPLIANT	INTERPRET DIMENSIONS PER ASME Y14.5M-1994 THIRD ANGLE PROJECTION DIMENSIONS ARE IN MILLIMETERS	SI METRIC A1	PART NO. INTERNAL	DRAWING NO. CLA001
MIN. DRAFT	DO NOT SCALE	SCALE: 0.143	SHEET: 2 OF 6	REV. 10